

CASH FARE

Age 5 and Over.....	\$1.00
Age 4 and Under	
1 or 2 Children with Adult.....	FREE
More Than 2 Children.....	50¢
Age 65 and Over with SMTD Free ID*	FREE
Age 65 and Over without SMTD Free ID**	50¢
People with Disabilities**	50¢
People with Disabilities with Circuit Breaker ID ***	FREE
Medicare Card Holders	50¢
Transfers.....	FREE

* SMTD senior ID cards can be obtained at the SMTD office. Seniors must live within SMTD boundaries to be eligible.

** With Medicare card or Green SMTD ID.

*** Circuit Breaker ID can be obtained at the SMTD Office.

PASSES

Two types of bus passes are color-coded for easy identification.

DISCOUNT PASS (yellow).....	20 rides/\$15.00
DISABLED PERSON (blue).....	20 rides/\$10.00

Passes can be purchased at many locations — Call SMTD. DISABLED PERSONS must present a Medicare Card or SMTD ID card when purchasing passes. Students may purchase the DISCOUNT pass at public, parochial, and private schools.

PARATRANSIT SERVICE

Paratransit Service is available. For Paratransit Service call 522-8594.

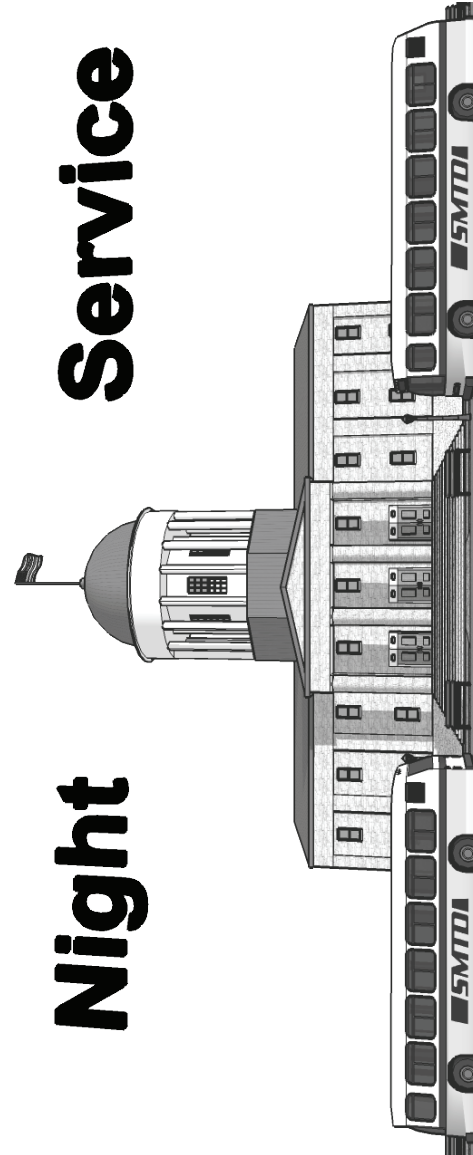
**FOR MORE INFORMATION
CALL 217-522-5531
OR VISIT
WWW.SMTD.ORG**

This service is financed in part through assistance from the United States Department of Transportation, Federal Transit Administration, and the IDOT – Division of Public & Intermodal Transportation.



SPRINGFIELD MASS TRANSIT DISTRICT

928 South 9th Street
Springfield, IL 62703-2497



PREPARED BY:



NIGHT SERVICE

**ROUTES 903 & 904
WESTSIDE**



**MONDAY - FRIDAY
(EXCEPT HOLIDAYS)
EFFECTIVE: OCTOBER 1, 2009**



SPRINGFIELD MASS TRANSIT DISTRICT

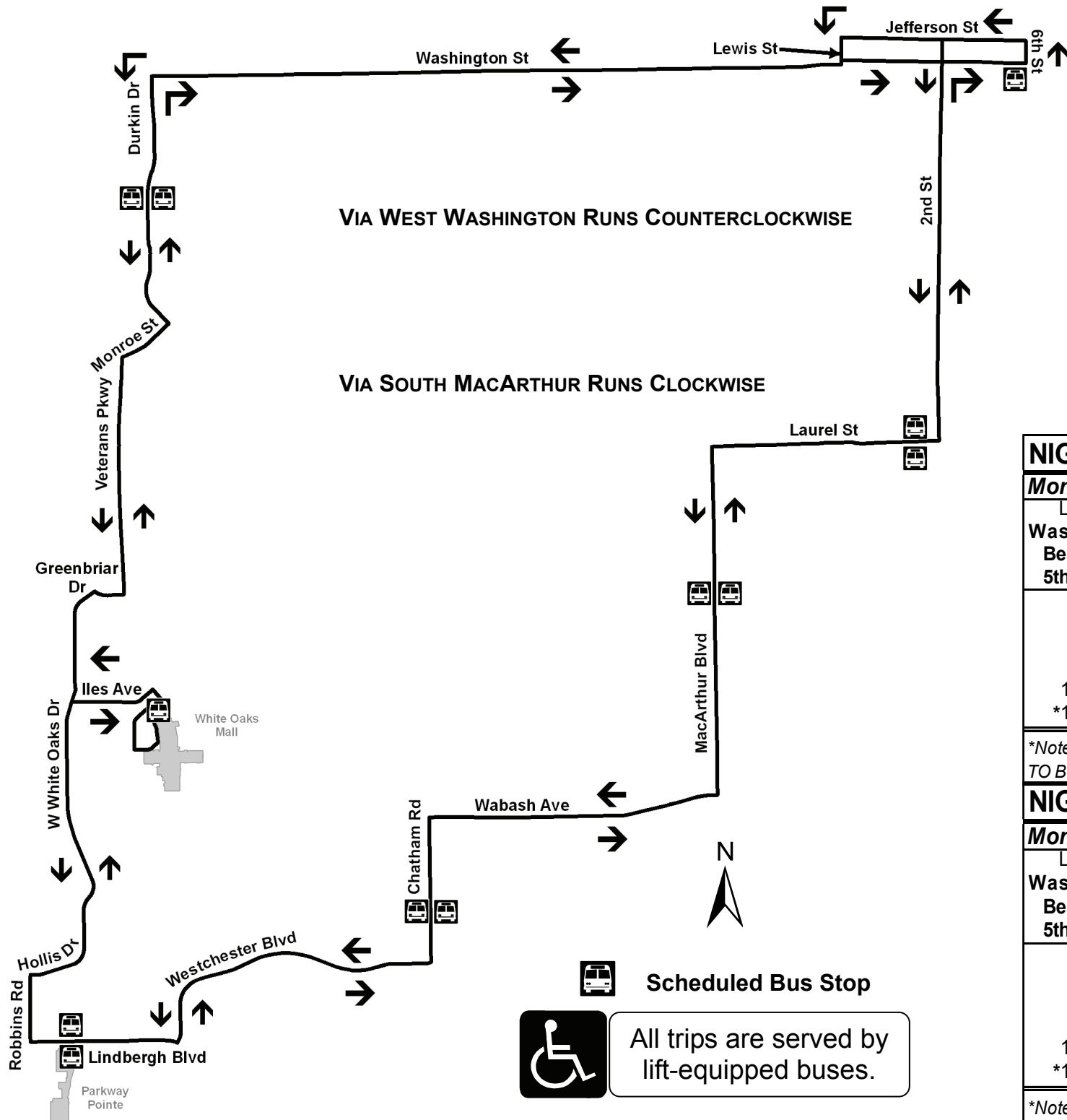
522-5531


www.smtd.org


NIGHT SERVICE

ROUTE 903 VIA WEST WASHINGTON AND ROUTE 904 VIA SOUTH MACARTHUR

WESTSIDE



 **Scheduled Bus Stop**

 **All trips are served by lift-equipped buses.**

NIGHT SERVICE		ROUTE 903			WESTSIDE	
<i>Monday through Friday</i>						
VIA WEST WASHINGTON						
Leave	Leave	Leave	Leave	Leave	Leave	Leave
Washington Between 5th & 6th	Durkin & Lawrence	White Oaks Mall	Wal-Mart & Parkway Pointe	Chatham & Seven Pines	MacArthur & Outer Park	1st & Laurel
6:45 PM	6:57 PM	7:10 PM	7:20 PM	7:25 PM	7:30 PM	7:35 PM
7:45	7:57	8:10	8:20	8:25	8:30	8:35
8:45	8:57	9:10	9:20	9:25	9:30	9:35
9:45	9:57		10:20	10:25	10:30	10:35
10:45	10:57		11:20	11:25	11:30	11:35
*11:45						

**Note 1: 11:45 PM TRIP AT THE TRANSFER CENTER IS COORDINATED TO TAKE PASSENGERS TO BUS STOP CLOSEST TO THEIR DESTINATION ON THE NIGHT ROUTE.*

NIGHT SERVICE		ROUTE 904			WESTSIDE	
<i>Monday through Friday</i>						
VIA SOUTH MACARTHUR						
Leave	Leave	Leave	Leave	Leave	Leave	Leave
Washington Between 5th & 6th	1st & Laurel	MacArthur & Outer Park	Chatham & Seven Pines	Wal-Mart & Parkway Pointe	White Oaks Mall	Durkin & Lawrence
6:45 PM	6:53 PM	7:00 PM	7:05 PM	7:10 PM	7:23 PM	7:30 PM
7:45	7:53	8:00	8:05	8:10	8:23	8:30
8:45	8:53	9:00	9:05	9:10	9:23	9:30
9:45	9:53	10:00	10:05	10:10		10:30
10:45	10:53	11:00	11:05	11:10		11:30
*11:45						

**Note 1: 11:45 PM TRIP AT THE TRANSFER CENTER IS COORDINATED TO TAKE PASSENGERS TO BUS STOP CLOSEST TO THEIR DESTINATION ON THE NIGHT ROUTE.*